



EXOTIC

AUTOMATION & SUPPLY



84N5 Series

The Latest Addition to the Family of Accelerate[®]
Press Shop Sheet Metal Grippers



Universal Sheet Metal Press
Shop Gripper



DESTACO's 84N5 sheet metal gripper is the universal solution for press shop gripping applications. The 84N5 gripper accelerates your press tending productivity with a lighter, faster and highly flexible gripper that can accommodate most press shop needs. The 84N5 features easy in-field jaw reconfiguration, adjustable opening angle, multipoint sensing and minimal field maintenance.

- Full range adjustable jaw opening
- Interchangeable jaws
- Fast on-site configuration changeover
- Optional multipoint sensing
- Easy field maintenance



60% lighter* (0.27-0.68kg)
40% smaller* foot print
62% faster* actuation (33-70ms)
100% DESTACO innovation

*When Compared With Closest Competition

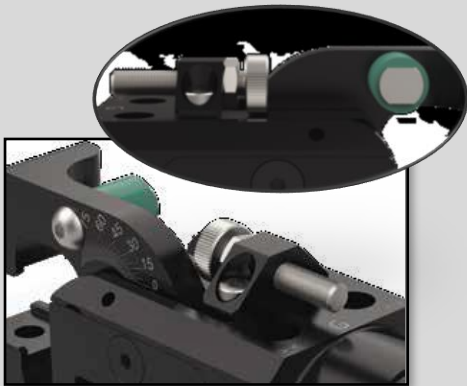


EXOTIC
AUTOMATION & SUPPLY

Field Adjustable Jaw Opening

The 84N5 sheet metal gripper with angle adjustment kit option installed allows jaw opening angle to be adjusted quickly in the field from 15° up to maximum 75° simply with the turn of the stopper.

84N5-X-ADJ-XX
Jaw Opening
Set to 75°
(Closed)



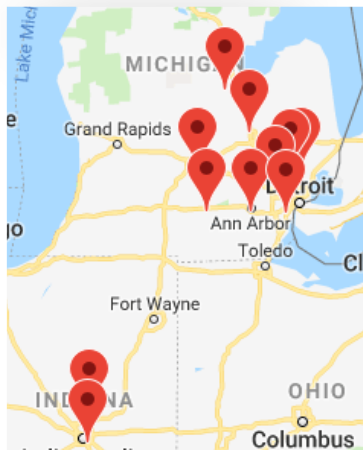
84N5-X-ADJ-XX
Jaw Opening
Set to 75°
(Open)



84N5-X-ADJ-XX
Jaw Opening
Set to 15°
(Open)



ACCELERATE 
COLLECTION



EXOTIC
AUTOMATION & SUPPLY

17450 Bataan Court
Noblesville, IN 46062
(317) 773-8119
indysales@erpc.com