



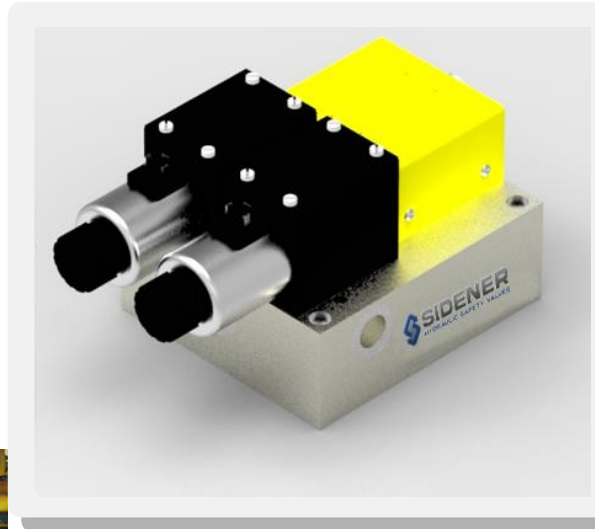
SIDENER

HYDRAULIC SAFETY VALVES

CREI-05 Specification Sheet

Sidener's Energy Isolation Valve functions as a two position 3-way hydraulic valve with redundant valving elements and redundant monitoring. The purpose of the valve is to, when energized, provide a flow path for a flow of hydraulic fluid from its source to the hydraulic system. When de-energized, the valve blocks flow from the hydraulic energy source and vents the hydraulic system to tank.

- ◇ The valve's hydraulic circuitry features a series flow condition from the inlet of the valve through redundant valving elements to the discharge of the valve.
- ◇ The hydraulic circuitry also features a parallel flow condition from the discharge of the valve through either or both of the valving elements to the tank port. This configuration assures that if a valving element fails to operate as requested, inlet flow will be blocked and fluid from the outlet side of the valve is directed to tank.
- ◇ Safety Rated Monitoring Switches indicate the movement of the redundant valving elements. Operation of the Safety Rated Monitoring Switches is typically monitored by a Safety Relay or a Safety PLC supplied by others.



**Contact us for
Additional Assistance!**



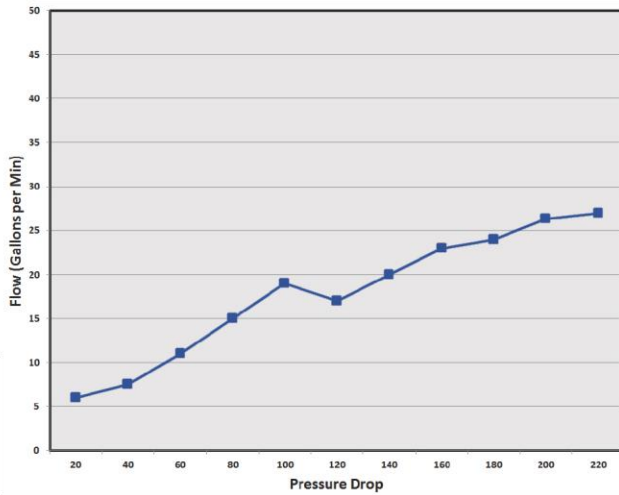
Specifications

Maximum Rated Pressure	Steel: 3000PSI / Aluminum: 3000PSI
Minimum Operating Voltage	85% of Rated Voltage
Amps Draw	24VDC-2.35Amps / 115VAC-0.52Amps
Duty Cycle	Continuous at 100% Voltage
Response Time	.085 - .110 seconds at 2500PSI
Operating Temperature	-13F to +160F
Fluid Compatibility	Mineral Based or Synthetic Fluids
Recommended Viscosity	40 to 1850 SSU (2.8 to 400 cST)
Filtration	ISO Code 18/16/13 or better
Approximate Weight	Ductile - 78 pounds Aluminum - 44 pounds
Mounting Orientation	Any

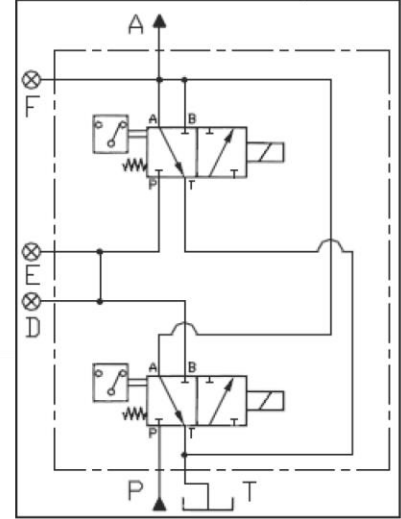


CREI-05 Specification Sheet

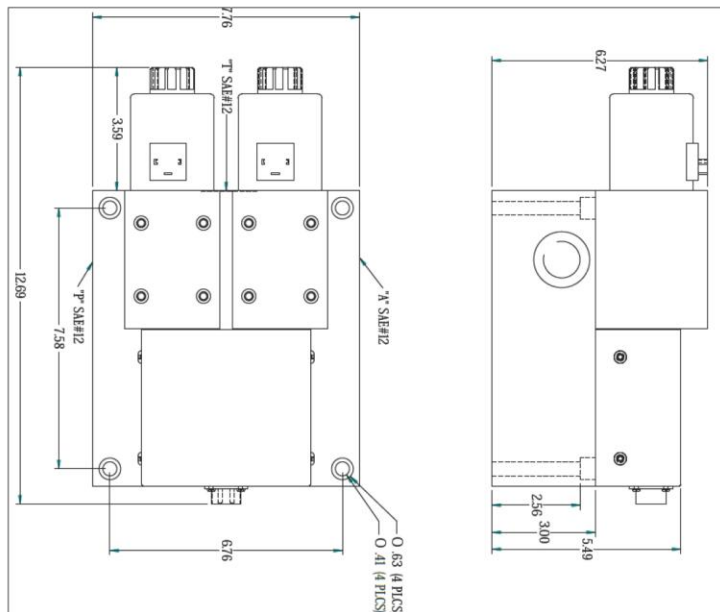
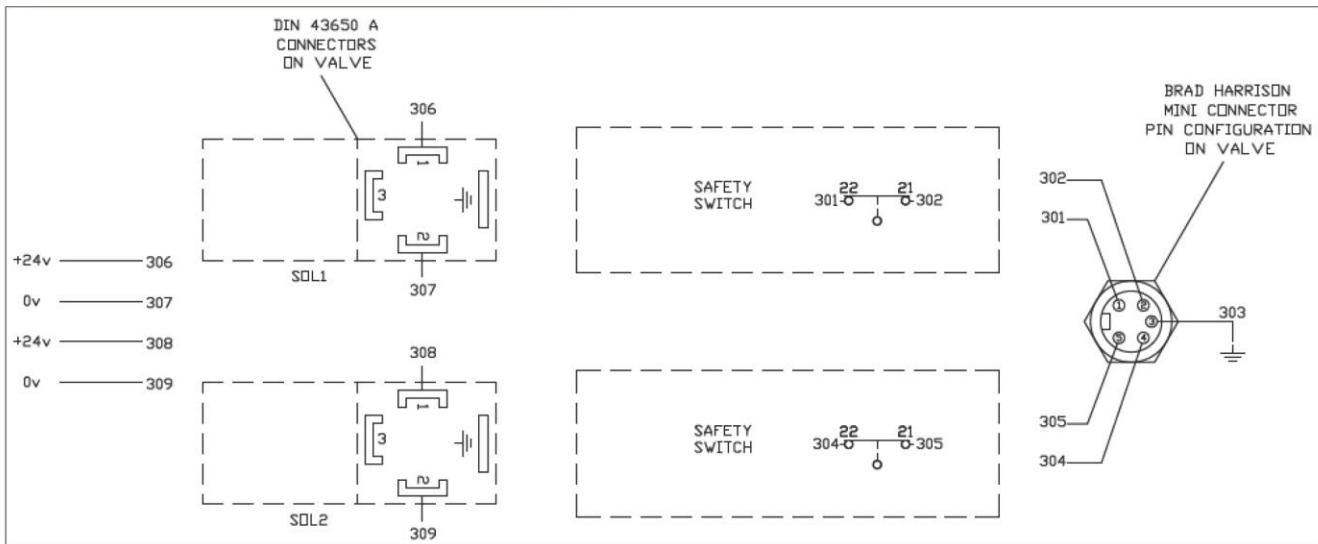
Flow/Performance Curve



Simplified CREI Circuit



Drawings



Exotic Automation & Supply
 53500 Grand River Ave
 New Hudson, MI 48165
 (248) 477-2122
sales@erpc.com

