



EXOTIC
AUTOMATION & SUPPLY

Meet Parker's All New Designing Tool



Virtual Engineer



Online sizing and selection tool to simplify collaboration, reduce design time and ensure optimal solutions.

Virtual Engineer is an innovative design tool for linear motion applications in automation. Simply enter your application specifications (speed, load, external forces) and quickly navigate to accurately sized product options.

Features:

- Product life estimation
- Compare function for multiple projects (includes pricing)
- CAD model availability
- My projects area (create, save and share projects to revisit at a later time)

Check it out!
www.parker.com/virtualengineer

Virtual Engineer:

- Reduces Your Development Time
- Provides Assurance
- Is Simple and Intuitive to Navigate

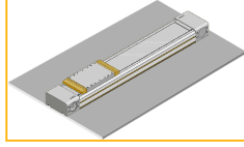


Step 1: Intuitive Graphical Interface

APPLICATION TYPE

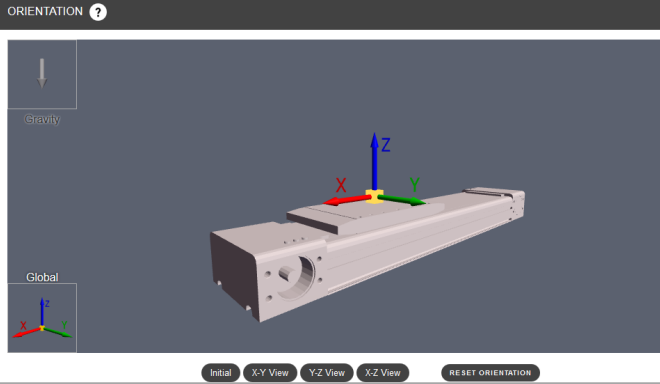
Step 1: Select Cylinder or Rodless.
Step 2: Click the appropriate image that closely matches your application

Rodless
Cylinder



Enter your application details and Virtual Engineer runs hundreds of millions of difficult calculations in the background, utilizing over a million product specific data points. After completing a dynamic simulation and analysis of Parker's products performing in your application, a list of products that meet your criteria is presented.

Virtual Engineer uses the application details and passes through hundreds of formulas in the background, utilizing over 1,000,000 variables.



LCR30 Leadscrew Driven, Light Capacity Miniature Linear Positioner

The LCR 30 is a value priced, screw driven miniature linear actuator which is ideal for OEM applications, moving light payloads with moderate thrust. This 30mm wide device is available with strokes of up to 600mm and a load capacity of 90N

PRODUCT INFO Include in Compare CONFIGURE

OSPE25-ST Trapezoidal Screw Driven, Glider Bushing, Rodless Linear Actuator

With multiple standard options and IP54 rating, OSPE-ST 25 lead screw driven actuators are designed for low-speed, low duty cycle, medium thrust applications. The trapezoidal screw prevents back driving, ideal for vertical applications. Payloads to 500N

PRODUCT INFO Include in Compare CONFIGURE

OSPE32-ST Trapezoidal Screw Driven, Glider Bushing, Rodless Linear Actuator

With multiple standard options and IP54 rating, OSPE-ST 32 lead screw driven actuators are designed for low-speed, low duty cycle, medium thrust applications. The trapezoidal screw prevents back driving, ideal for vertical applications. Payloads to 1000N

PRODUCT INFO Include in Compare CONFIGURE

Step 2: Product Comparison

Make your final product selections, configure part numbers and download CAD files in a matter of minutes.

Sort based on what is important to you: velocity capacity, price, drive train lead, etc...

Select Attributes:

- SERIES: 404
- TRAVEL: T04 - 250 mm Travel
- STYLE: LXR - Linear Motor Table
- MOUNTING: M - Metric Mounting
- GRADE: P - Precision Grade
- DRIVE TYPE: D2 - No Motor (Free Travel)

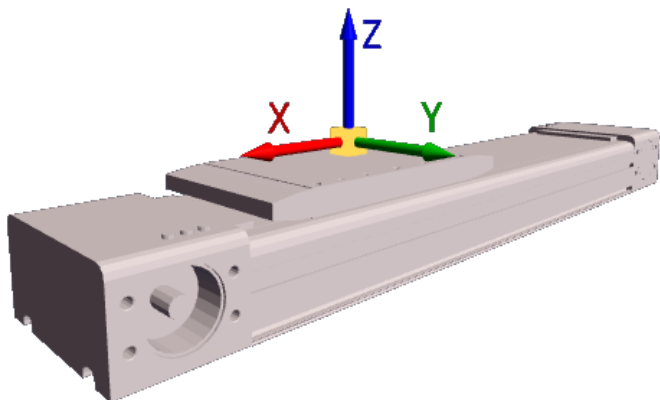
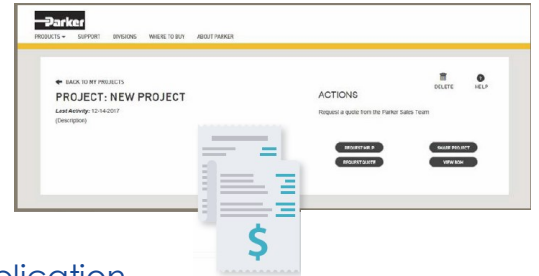
3D CAD models now available in multitudes of native formats for easy import into your system

Step 3: Design Collaboration & RFQ

Collaborate internally with your team and also externally with Parker via chat, email or system dashboard. Seamlessly save your project and submit your project for quotation.

Save engineering time in three simple steps:

- Enter application details using the intuitive interface
- Size and select products that meet the demands of your application
- Get a quote, share your project, and download files easily



Exotic Automation & Supply
34700 Grand River Ave
Farmington Hills, MI 48335
P: (248) 477-2122
E: sales@erpc.com
www.exoticautomation.com

