



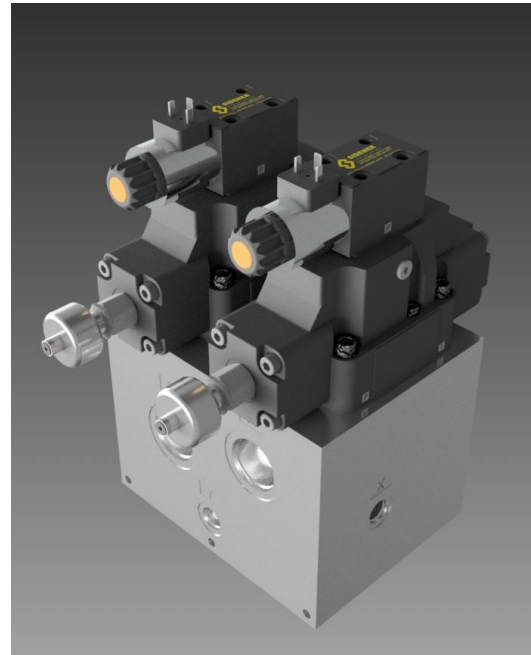
# SIDENER ENGINEERING

A DIVISION OF EXOTIC AUTOMATION & SUPPLY

## CREI 07 B1 Specification Sheet

Sidener's Energy Isolation Valve functions as a two position 3-way hydraulic valve with redundant valving elements and redundant monitoring. The purpose of the valve is to, when energized, provide a flow path for a flow of hydraulic fluid from its source to the hydraulic system. When de-energized, the valve blocks flow from the hydraulic energy source and vents the hydraulic system to tank.

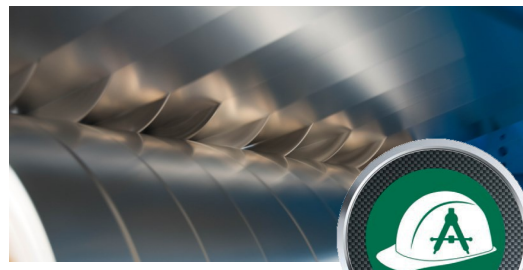
- ◇ The valve's hydraulic circuitry features a series flow condition from the inlet of the valve through redundant valving elements to the discharge of the valve.
- ◇ The hydraulic circuitry also features a parallel flow condition from the discharge of the valve through either or both of the valving elements to the tank port. This configuration assures that if a valving element fails to operate as requested, inlet flow will be blocked and fluid from the outlet side of the valve is directed to tank.
- ◇ Safety Rated Monitoring Switches indicate the movement of the redundant valving elements. Operation of the Safety Rated Monitoring Switches is typically monitored by a Safety Relay or a Safety PLC supplied by others.



**Contact us for  
Additional Assistance!**

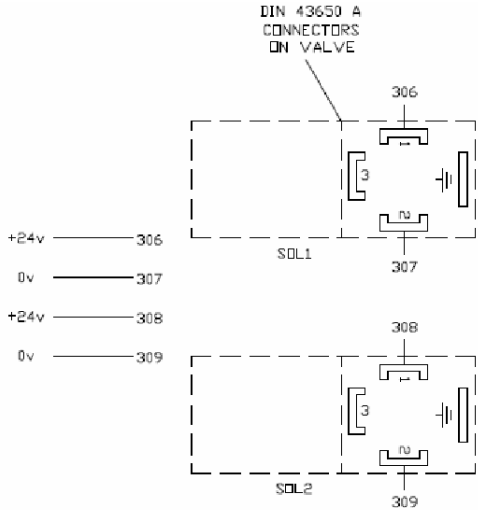
## Specifications

<b>Maximum Rated Pressure</b>	Steel: P,A,B,T,X-5000 PSI, Y-1500psi Aluminum: P,A,B,T,X-3000PSI, Y-1500PSI
<b>Operating Voltage Tolerance</b>	+/- 10%
<b>Amps Draw</b>	24VDC - 1.29 Amps
<b>Duty Cycle</b>	Continuous at 100% Voltage
<b>Step Response Time at 95%</b>	Energized: 75ms ; De-energized: 65ms at 1500PSI
<b>Operating Temperature</b>	-4 to 160 degrees Fahrenheit
<b>Fluid Compatibility</b>	Hydraulic Fluid According to DIN 51524
<b>Recommended Viscosity</b>	30 - 80 cst
<b>Filtration</b>	18/16/13 per ISO 4406 (1999)
<b>Approximate Weight</b>	Ductile - 105 pounds Aluminum - 67 pounds
<b>Mounting Orientation</b>	Unrestricted, Horizontal Preferred
<b>Electrical Connector-Cable Kit</b>	CREI-B1-WK: Kit contains 2 solenoid cable assemblies and 2 inductive position sensor cable assemblies, 10m long.

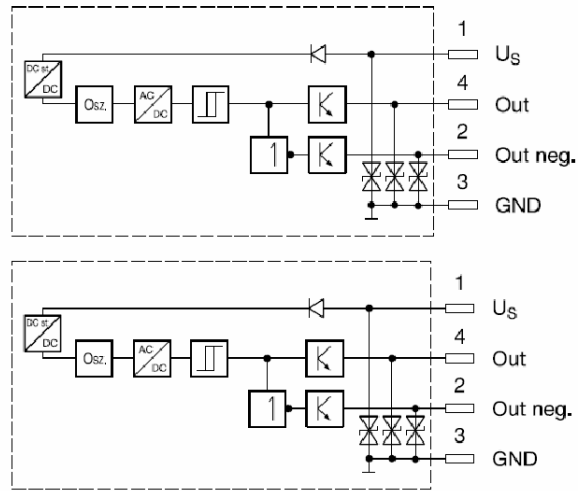


# CREI 07 B1 Specification Sheet

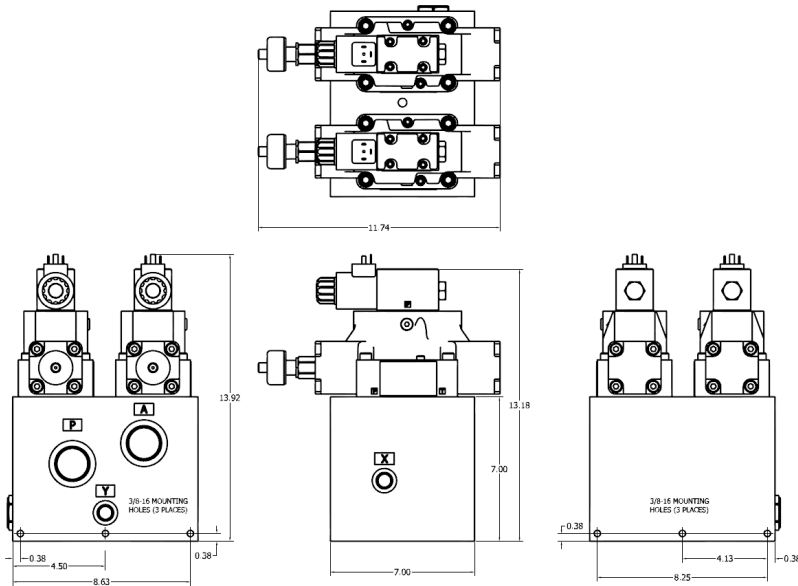
## Connection Drawing



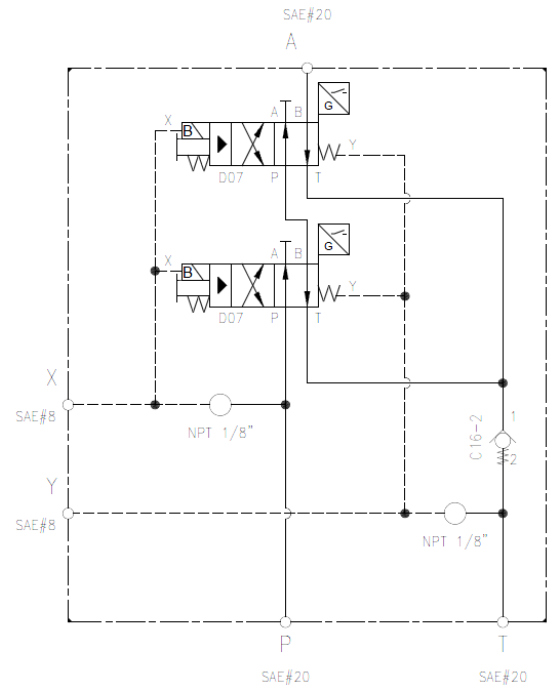
M12 4-PIN CONNECTORS ON VALVE



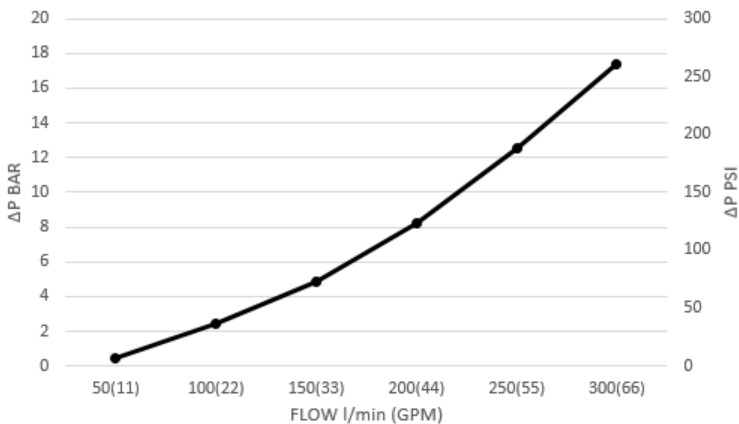
## Dimensional Drawing



## Simplified CREI Circuit



## Flow/Performance Curve



Sidener Engineering  
 17450 Bataan Ct.  
 Noblesville, IN 46062  
 (317) 773-8119  
[indysales@erpc.com](mailto:indysales@erpc.com)  
[www.sidenereng.com](http://www.sidenereng.com)

