



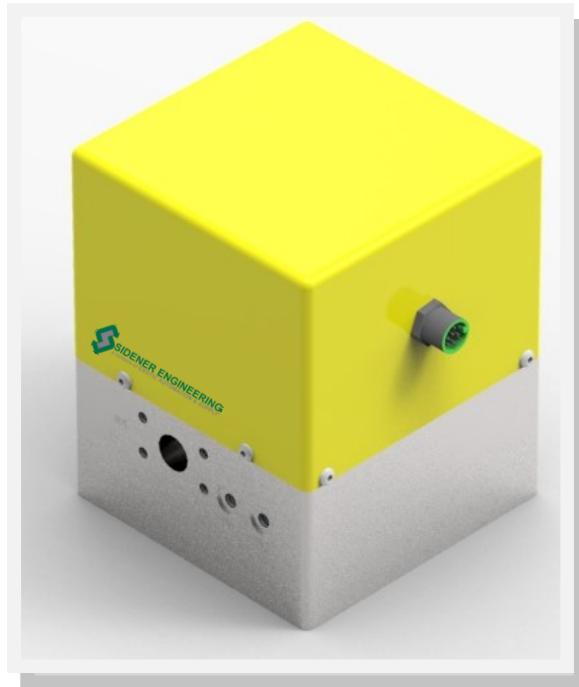
SIDENER ENGINEERING

A DIVISION OF EXOTIC AUTOMATION & SUPPLY

CRBL-40 Specification Sheet

Sidener's Blocking Valve functions as a two position 2-way hydraulic valve with redundant valving elements and redundant monitoring.

- ◇ The purpose of the valve is to block flow in a hydraulic system.
- ◇ A common application is to block flow in a hydraulic cylinder to inhibit cylinder movement caused by gravity.
- ◇ Safety Rated Monitoring Switches indicate the movement of the redundant valving elements. Operation of the Safety Rated Monitoring Switches is typically monitored by a Safety Relay or a Safety PLC supplied by others.

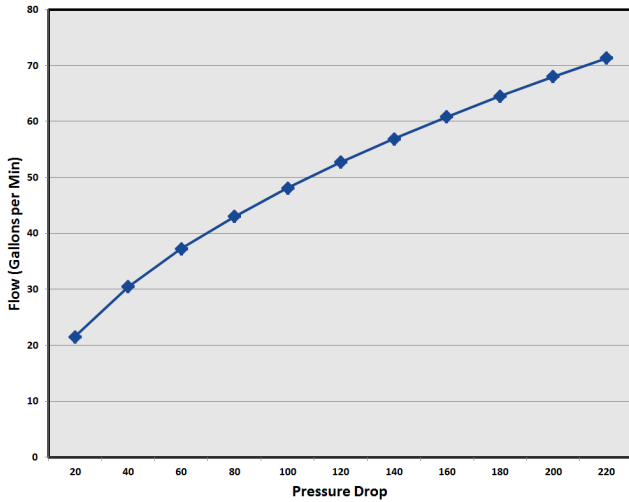


Specifications	
Maximum Rated Pressure	Steel: 5000PSI / Aluminum: 3000PSI
Minimum Operating Voltage	85% of Rated Voltage at 72F
Amps Draw	24VDC-2.35Amps / 115VAC-0.52Amps
Duty Cycle	Continuous at 100% Voltage
Response Time	.070 - .150 seconds at 1000PSI
Operating Temperature	-50F to +200F
Fluid Compatibility	Mineral Based or Synthetic Fluids
Recommended Viscosity	45 to 2000 SSU (6 to 420 cST)
Filtration	ISO Code 18/16/13 or better
Approximate Weight	Ductile - 200 pounds Aluminum - 85 pounds
Mounting Orientation	Any

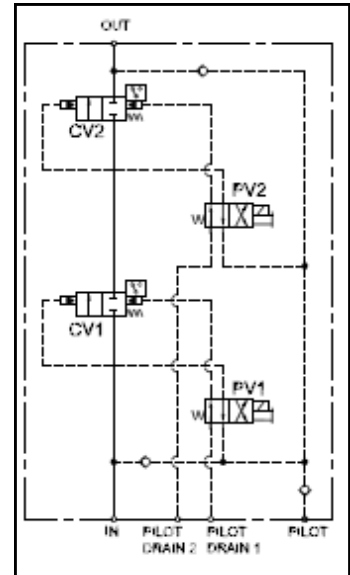


CRBL-40 Specification Sheet

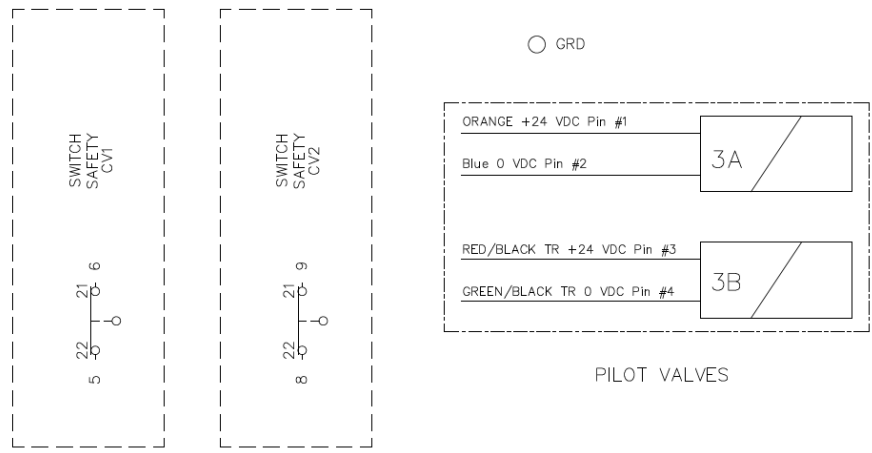
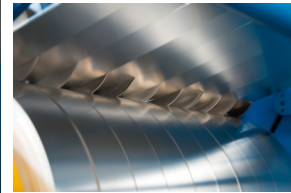
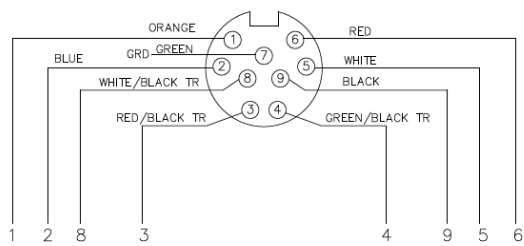
Flow/Performance Curve



Simplified CREI Circuit



Drawings



Sidener Headquarters:

Parker Store

17450 Bataan Court

Noblesville, IN 46062

www.sidenereng.com

sales@erpc.com

(317) 773-8119



*Installation Drawings
Available Upon Request*