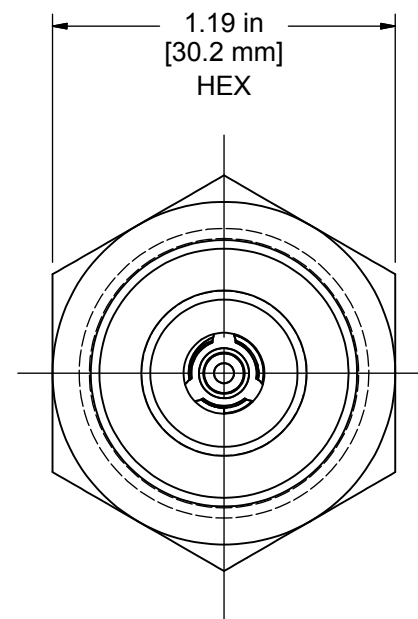
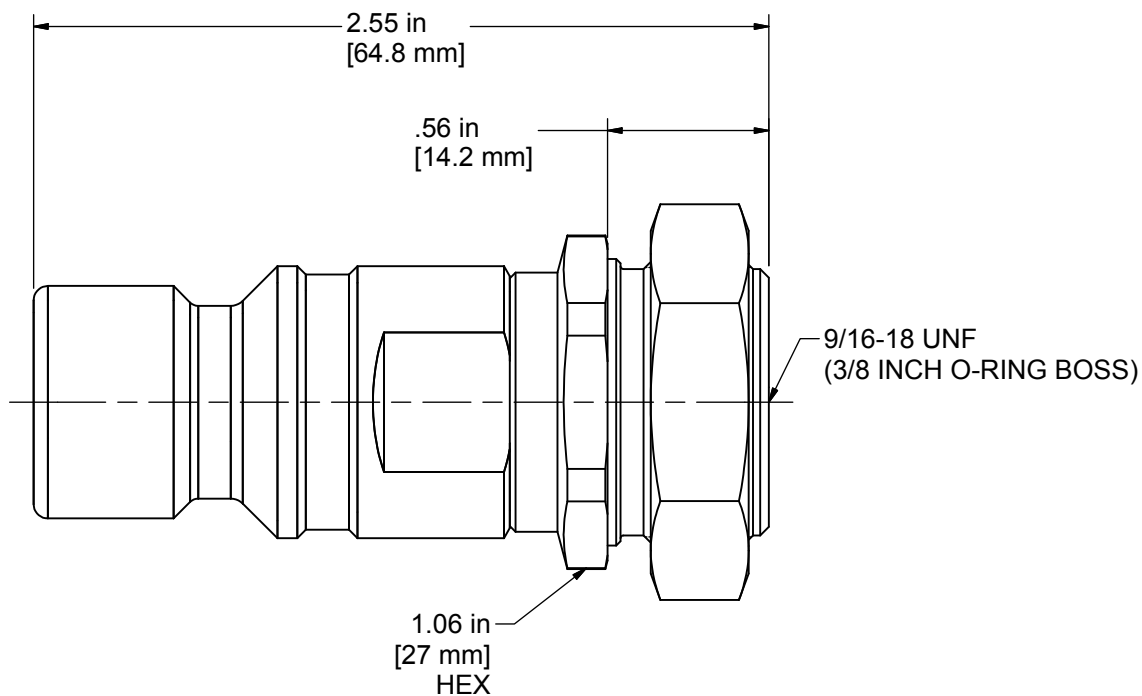
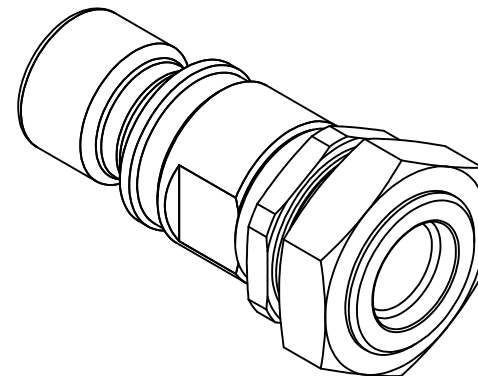



Part No.: FMS-362NF-6FO-02
 Title: RECEPTACLE ASSEMBLY

Rev No.
 -/1



| | | | |
|---|-------------------------|--|--|
| Modeled: | CUSTOMER DRAWING | |  Quick Coupling Division |
| Drawn: | Date: | | |
| Checked: | Approved: | | |
| <small>THIS DOCUMENT CONTAINS INFORMATION THAT IS CONFIDENTIAL AND PROPRIETARY TO PARKER HANNIFIN ("PARKER"). THIS DOCUMENT IS FURNISHED ON THE UNDERSTANDING THAT THE DOCUMENT AND THE INFORMATION IT CONTAINS WILL NOT BE COPIED OR DISCLOSED TO OTHERS OR USED FOR ANY OTHER PURPOSE THAN CONDUCTING BUSINESS WITH PARKER, AND WILL BE RETURNED AND ALL FURTHER USE DISCONTINUED UPON REQUEST BY PARKER. COPYRIGHT PARKER YEAR OF COPYRIGHT IS FIRST YEAR INDICATED ON THIS DOCUMENT. ALL RIGHTS RESERVED.</small> | | | Part No.: FMS-362NF-6FO-02 Title: RECEPTACLE ASSEMBLY |
| Publication No. 3800-B1.0 Safety Guide for Selecting and Using Quick Action Couplings and Related Accessories is part of this document. | | | Reference: Location: MPLS Scale: |
| Revision CUSTOMER INTERFACE DRAWING | | | Folder: Sheet 1 Of 1 Drawing No.: N/A |
| | | | Rev./Ver. -/1 |